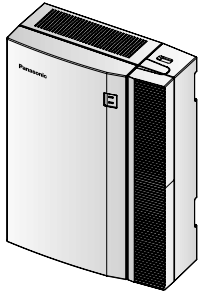


Panasonic



Hybrid IP-PBX User Manual/Feature Guide

Model no. **KX-TDA30**



This document provides information unique to the KX-TDA30.
For details on features not explained here, refer to the KX-TDA100/KX-TDA200 documentation.

Table of Contents

1	User Manual Description	3
1.1	Differences Between the KX-TDA30 and KX-TDA100/200 User Manuals	4
1.1.1	Features Unavailable on the KX-TDA30	4
1.1.2	Additional Information and Features of the KX-TDA30	4
2	Feature Guide Description	5
2.1	Differences Between the KX-TDA30 and KX-TDA100/200 Feature Guides	6
2.1.1	Features Unavailable on the KX-TDA30	6
2.1.2	Additional Information and Features of the KX-TDA30	6
2.1.2.1	Digital eXtra Device Port (Digital XDP)	7
2.1.2.2	Caller ID to Analogue Extension	8

Section 1

User Manual Description

1.1 Differences Between the KX-TDA30 and KX-TDA100/200 User Manuals

1.1.1 Features Unavailable on the KX-TDA30

Description

The feature which is unavailable on the KX-TDA30 is described below.

Unavailable Feature	Section of KX-TDA100/200 User Manual
<p>Message Waiting for SLT The KX-TDA30 cannot turn on the message waiting light of a single line telephone (SLT). If the extension receives a message waiting indication, the light will not turn on.</p>	<ul style="list-style-type: none"> • 1.2.4 When the Dialed Line is Busy or There is No Answer—Leaving a Message Waiting Indication/Calling Back the Caller Which Left an Indication (Message Waiting)

1.1.2 Additional Information and Features of the KX-TDA30

Description

Additional information and features unique to the KX-TDA30 are described below.

Additional Information and Features	Section of KX-TDA100/200 User Manual
<p>Outgoing Call Log</p> <ul style="list-style-type: none"> • The outgoing call log can be displayed by simply pressing the REDIAL button while on-hook. 	<ul style="list-style-type: none"> • 1.11.1 Using the Call Log—Calling with the Outgoing Call Log
<p>System Speed Dialling Directory</p> <ul style="list-style-type: none"> • The System Speed Dialling Directory can be displayed by simply pressing the AUTO DIAL/STORE button while on-hook. 	<ul style="list-style-type: none"> • 1.11.2 Using the Directories

Section 2

Feature Guide Description

2.1 Differences Between the KX-TDA30 and KX-TDA100/200 Feature Guides

2.1.1 Features Unavailable on the KX-TDA30

Description

Features which are unavailable on the KX-TDA30 are listed below.

Unavailable Features	Section of KX-TDA100/200 Feature Guide
<p>SLT with a Message Waiting Lamp The KX-TDA30 cannot turn on the message waiting light of a single line telephone (SLT). If the extension receives a message waiting indication, the light will not turn on.</p>	<ul style="list-style-type: none"> • 1.17.1 Message Waiting
<p>E1 Line Service Features</p>	<ul style="list-style-type: none"> • 1.20 E1 Line Service Features
<p>T1 Line Service Features</p>	<ul style="list-style-type: none"> • 1.21 T1 Line Service Features

2.1.2 Additional Information and Features of the KX-TDA30

Description

Additional information and features unique to the KX-TDA30 are described below.

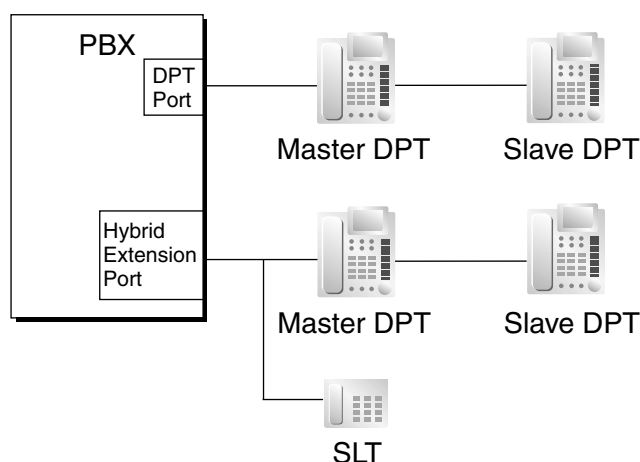
Additional Information and Features	Section of KX-TDA100/200 Feature Guide
<p>Doorphone Call Doorphones 1 and 2 (or 3 and 4) cannot make a call simultaneously. If a doorphone user tries to make a call while the other doorphone is engaged in a call, the destination will ring but no sound will be heard on either end when the call is answered. Doorphones 1 and 2 (or 3 and 4) cannot receive a call simultaneously. If an extension user calls a doorphone while the other doorphone is engaged in a call, the caller will hear a busy tone.</p>	<ul style="list-style-type: none"> • 1.15.1 Doorphone Call
<p>Outgoing Call Log Pressing the REDIAL button on a display DPT while on-hook can display the Outgoing Call Log.</p>	<ul style="list-style-type: none"> • 1.6.1.4 Last Number Redial
<p>System Speed Dialling Directory Pressing the AUTO DIAL/STORE button on a display DPT or KX-T7735 while on-hook can display the System Speed Dialling Directory.</p>	<ul style="list-style-type: none"> • 1.6.1.5 Speed Dialling—Personal/System

Additional Information and Features	Section of KX-TDA100/200 Feature Guide
<p>Digital eXtra Device Port (Digital XDP) This is additional feature for the KX-TDA30. For details, refer to 2.1.2.1 Digital eXtra Device Port (Digital XDP).</p>	—
<p>Caller ID to Analogue Extension This is additional feature for the KX-TDA30. For details, refer to 2.1.2.2 Caller ID to Analogue Extension.</p>	—

2.1.2.1 Digital eXtra Device Port (Digital XDP)

Description

A digital proprietary telephone (DPT) has a jack to connect another telephone. A DPT can be connected to another DPT via the jack and used as an independent extension. This connection is useful to increase the number of DPTs without additional extension cards. The DPT that is connected directly to the extension port is called the "master DPT", and the DPT connected to the master is the "slave". Both DPT can have their own settings (e.g., extension number, COS) so that they can act as completely different extensions.



Conditions

- To use this feature, both the master DPT and slave DPT must be KX-T7600 series (except KX-T7640).
- **XDP Mode**
In addition to a slave DPT, an SLT can be used in parallel or XDP mode with a master DPT that is connected to a hybrid extension port.
- The Off-Hook Call Announcement (OHCA) feature cannot be used with DPTs in Digital XDP connection. When an OHCA is received, a call waiting tone will be heard. Note that Whisper OHCA can be used as with other DPTs.
- USB Modules must not be connected to DPTs in Digital XDP connection. If a personal computer (PC) is connected to a master DPT via a USB Module, the PC cannot be used for the PC Phone, PC Console, or Computer Telephony Integration (CTI)

feature. Also, if a USB module is connected to a slave DPT, the DPT cannot work properly.

- The PBX supports a maximum of 24 DPTs. Note that the Digital XDP connection does not increase the maximum number of DPTs that can be connected to the PBX.

2.1.2.2 Caller ID to Analogue Extension

Description

A Caller ID-compatible SLT user can receive Caller ID information, such as the caller's name and telephone number, when receiving a call.

Notice

- This feature complies with the following specifications:
Bellcore
ETSI (European Telecommunications Standards Institute): ETS 300 659 Subscriber line protocol over the local loop for display (and related) services; Part 1: On hook data transmission (only clause 6.1.1 [FSK signal transmission during ringing])
- There is no compliance for the method using DT-AS signal, line reversal signal, or DTMF signal.

Conditions

- **Hardware Requirement:** EXT-CID card
- Up to 8 SLTs can be programmed to receive Caller ID information through system programming.
- To ensure that this feature will function properly, use Panasonic SLTs.
- When receiving an intercom call, the calling extension number and name will be sent to an SLT.
- When receiving a trunk call, the caller's telephone number will be sent to an SLT. If the received number matches a number in the System Speed Dialling Table, and a name is assigned, the caller name will be also sent. However, depending on the type of SLT, the name may not be shown on the display.
- When the Caller ID number of an incoming trunk call is sent to an SLT, system programming determines if a Trunk Access number is automatically added to the telephone number to make it easier to call the number back.
- A maximum of 16 digits of the telephone number can be handled by the Caller ID feature. If the telephone number is more than 16 digits, only the first 16 digits (excluding a Trunk Access number, if it is added) will be sent to an SLT.
- For an SLT that is connected to a PT in parallel, receiving Caller ID information is available only when the SLT is set to ring.
- If the information of the reason for absence of the caller number and name (Private, Out of Area) or call qualifier (Long Distance) is received from a trunk, the information will be sent to an SLT.
- If a call is transferred to an SLT, a transferring extension number and name will be sent to the SLT. If the transferring extension goes on-hook while transferring the call, the call information of the transferred party will be sent to the SLT.

